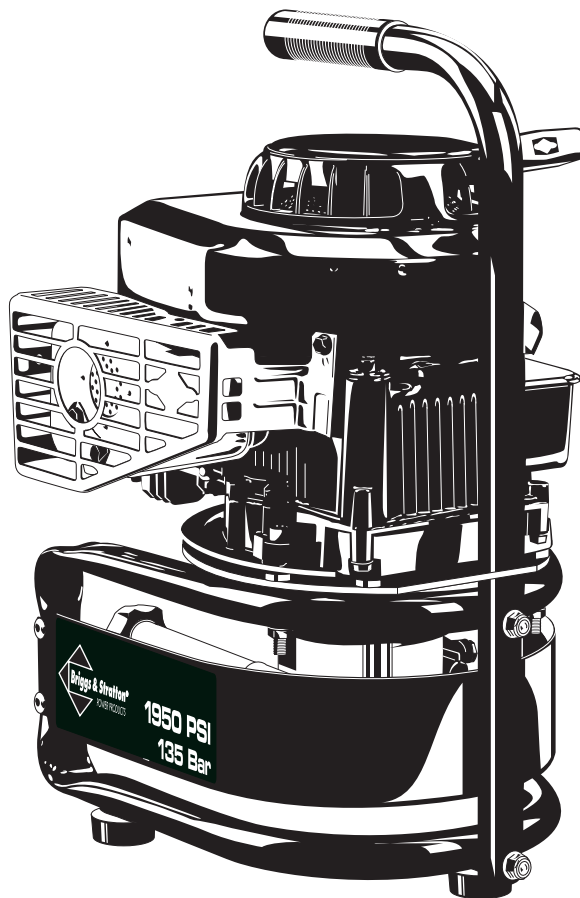




135 BAR

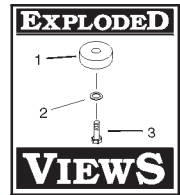
1950 PSI

Illustrated Parts List

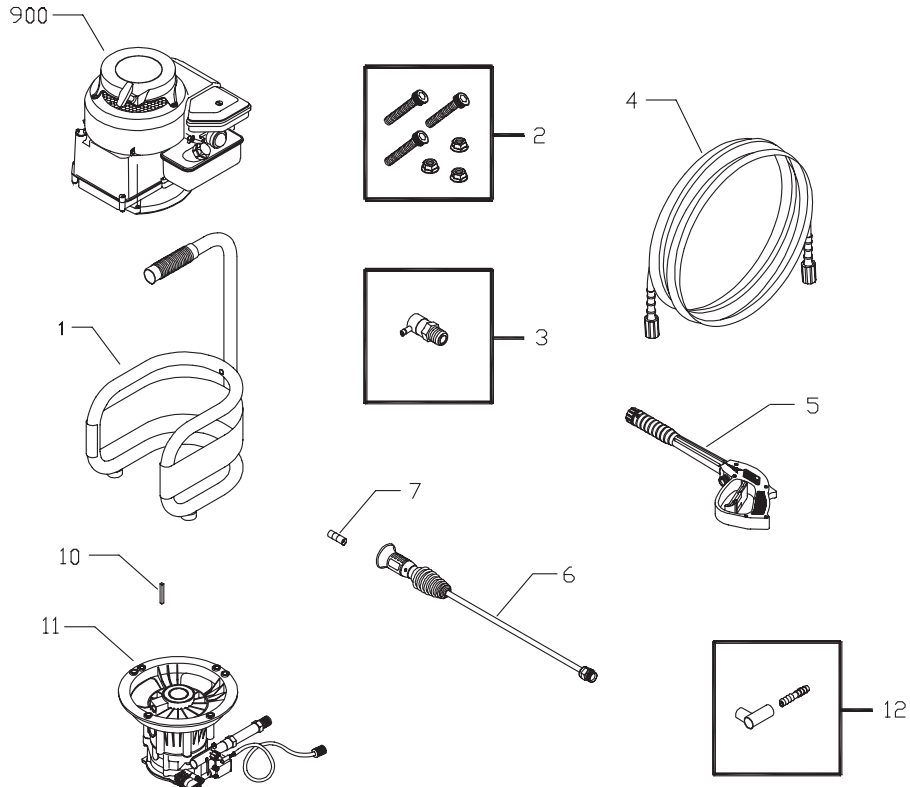


BRIGGS & STRATTON POWER PRODUCTS GROUP, LLC
JEFFERSON, WISCONSIN, U.S.A.

Model No. 020222 (1950 PSI Pressure Washer) Manual No. 195062A Revision 0 (12/01/2004)



EXPLODED VIEW AND PARTS LIST - MAIN UNIT

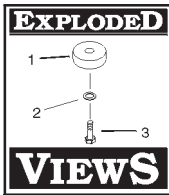


Item	Part #	Description
1	M194908GS	BASE
2	192308GS	KIT, Pump/Engine Mounting Hardware
3	194298GS	VALVE, Thermal Relief
4	196006GS	HOSE
5	193482GS	GUN
6	194344DGS	ASSY, Wand Hi - Lo
7	193609DGS	ORIFICE
10	23139GS	KEY
11	194216GS	ASSY, Pump (see page 3)

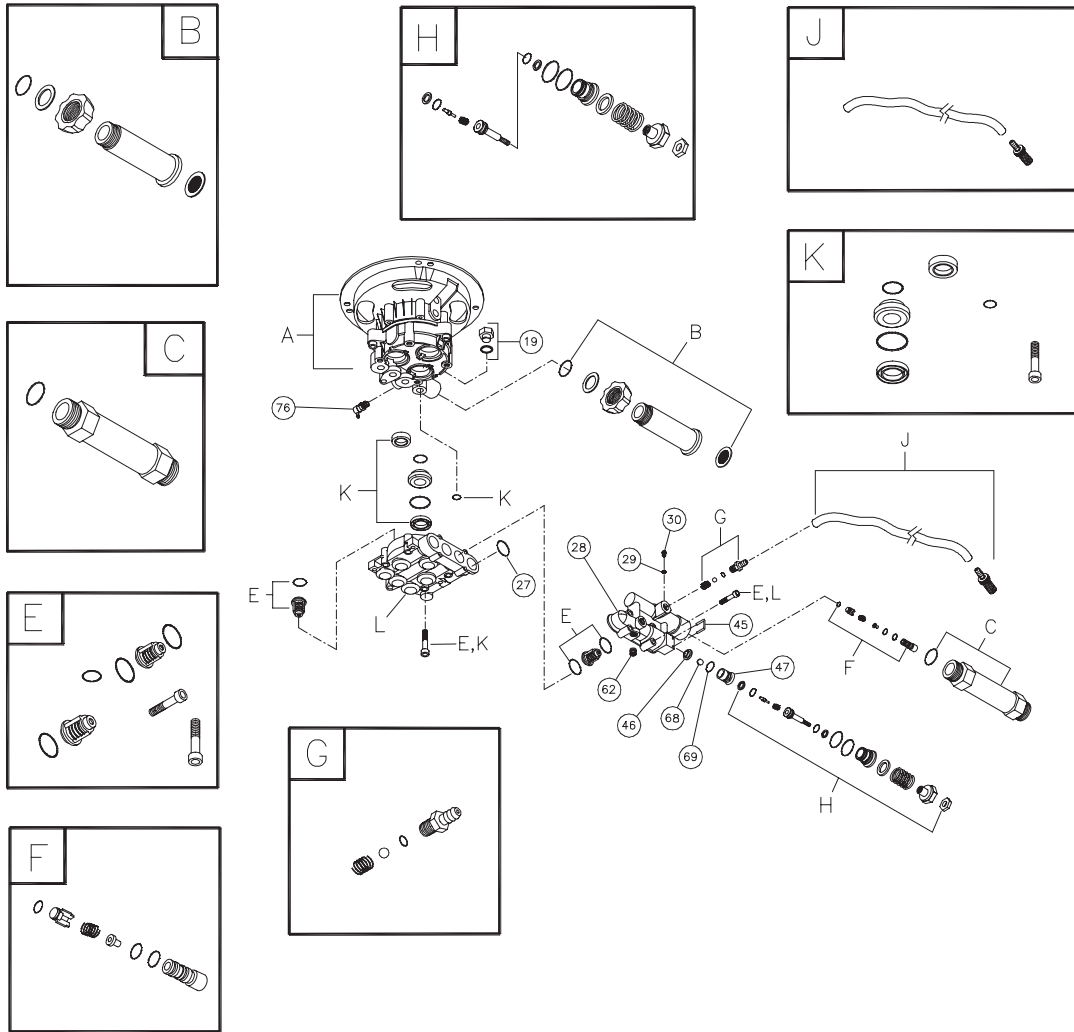
Item	Part #	Description
12	195175GS	KIT, Chem Connector 90° w/Barb
900	Contact Engine Manufacturer

Items Not Illustrated

195351GS	KIT, Decals
195062GS	MANUAL, Owners
MS5373	MANUAL, Engine
191922GS	KIT, O-Ring Maintenance
95456GS	CONNECT, Quick, Male
96016GS	CONNECT, Quick, Female



EXPLODED VIEW AND PARTS LIST - PUMP



Item	Part #	Description	Item	Part #	Description
19	190571GS	CAP, Oil	A	NSP	ASSY, CASE, PISTON
28	190627GS	MANIFOLD	B	190632GS	KIT, WATER INLET, ALUM
29	190575GS	O-RING, 4 X 2	C	190634GS	KIT, OUTLET, ALUM
30	190576GS	SCREW	E	190591GS	KIT, CHECK VALVES
45	190578GS	PIN	F	190592GS	KIT, INLET CHECK
46	190629GS	VALVE, Seat Plate, Plastic	G	190593GS	KIT, CHEMICAL INJECTION
47	190630GS	VALVE, Seat, Plastic	H	190628GS	KIT, UNLOADER STEM
62	190581GS	CAP, 1/8	J	189971GS	KIT, CHEMICAL HOSE
68	190582GS	BALL, 7mm SS	K	190636GS	KIT, SEAL SET
69	190584GS	O-RING, 9.25 x 1.78	L	NSP	KIT, HEAD ALUM
76	194298GS	THERMAL RELIEF			

NOTE: Items A - L are service kits and include all parts shown within the box.